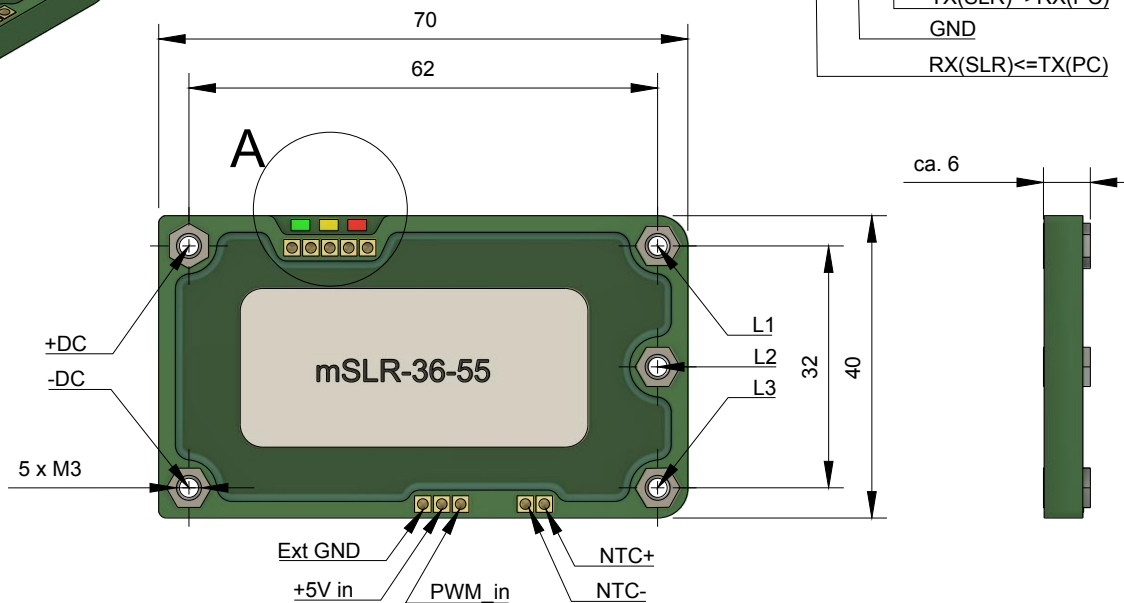
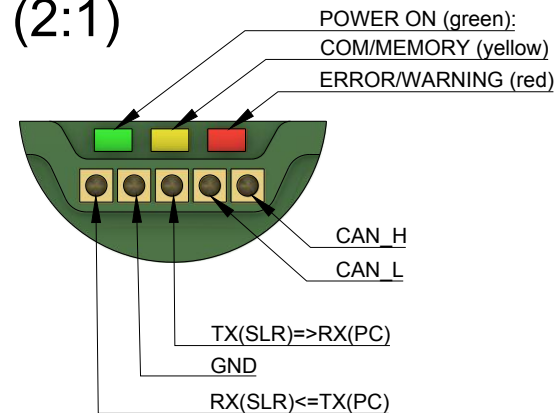


A (2:1)



notes:

- bottom side connected with -DC
- signal-terminals to be soldered
- dimensions in mm

Dept.	Technical reference	Created by J. Neu	11.01.2018	Approved by
mass: ca. 35g		Document type	Document status DRAFT	
		Title mSLR-36-55	DWG No.	
		© Ing.-Büro Rolf Zimmermann	Rev.	Date of issue
				Sheet 1/2