

6

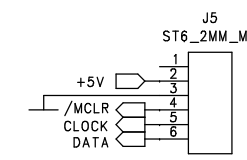
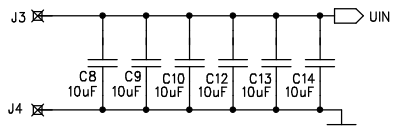
5

4

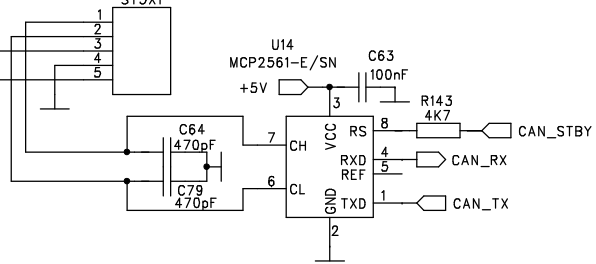
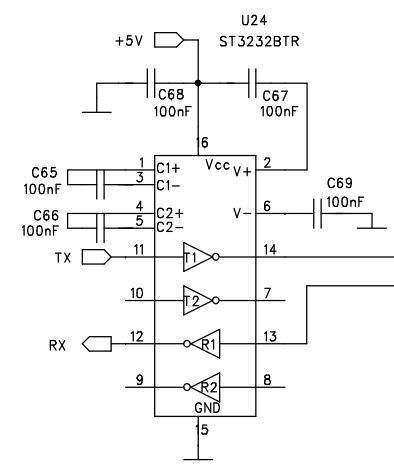
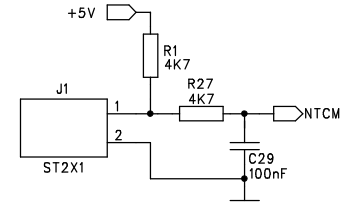
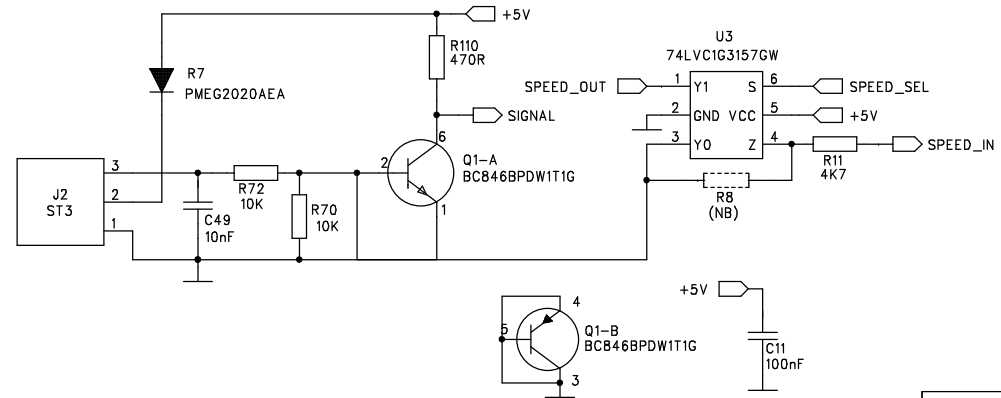
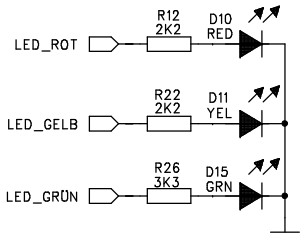
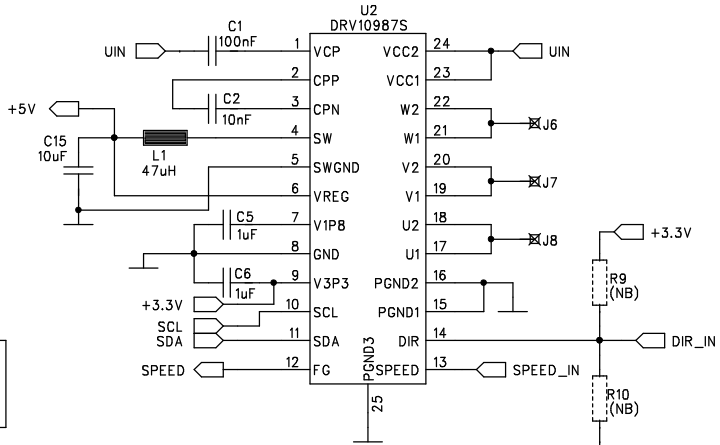
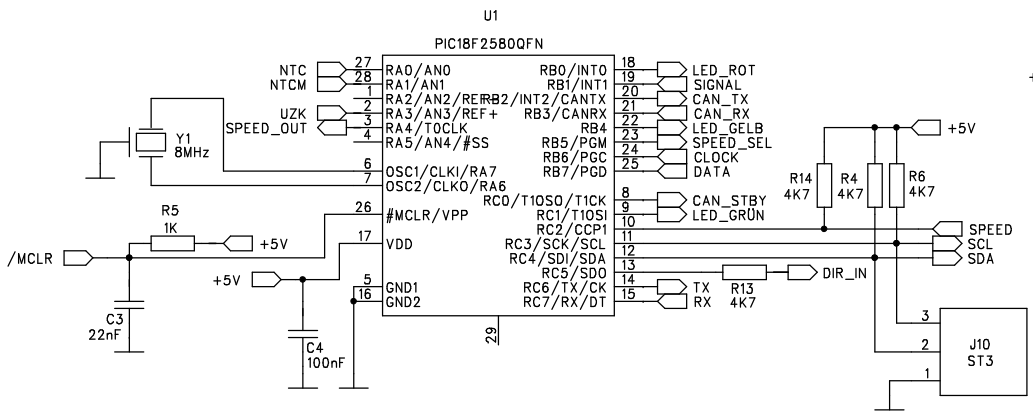
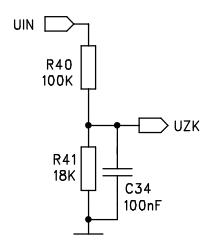
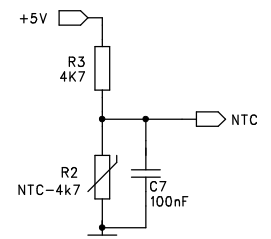
3

2

1



REVISION RECORD			
LTR	ECO NO:	APPROVED:	DATE:



DRAWN:	IBZ/ML	DATED:	08.03.2018
CHECKED:		DATED:	
QUALITY CONTROL:		DATED:	
RELEASED:		DATED:	

COMPANY:				Ing.-Büro Rolf Zimmermann			
TITLE:				nanoSLS			
CODE:	SIZE:	DRAWING NO:		REV:			
SCALE:	SHEET: 1 OF 1						

D

C

B

A

D

C

B

A